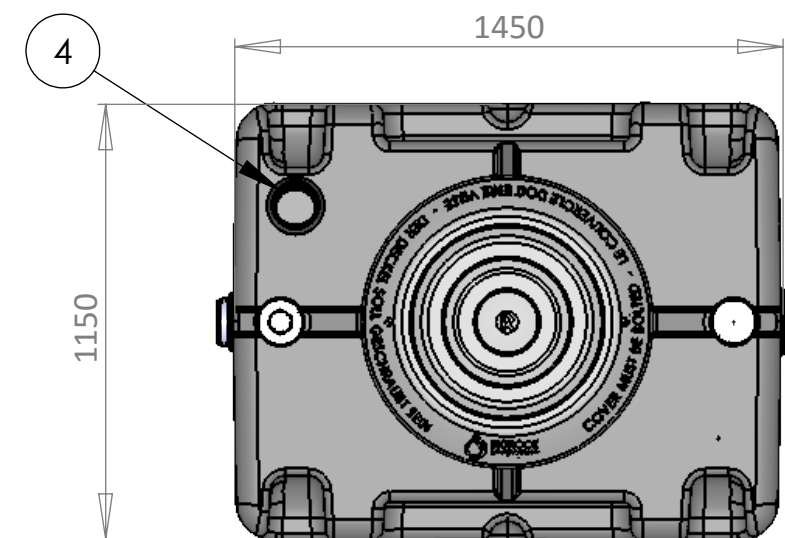
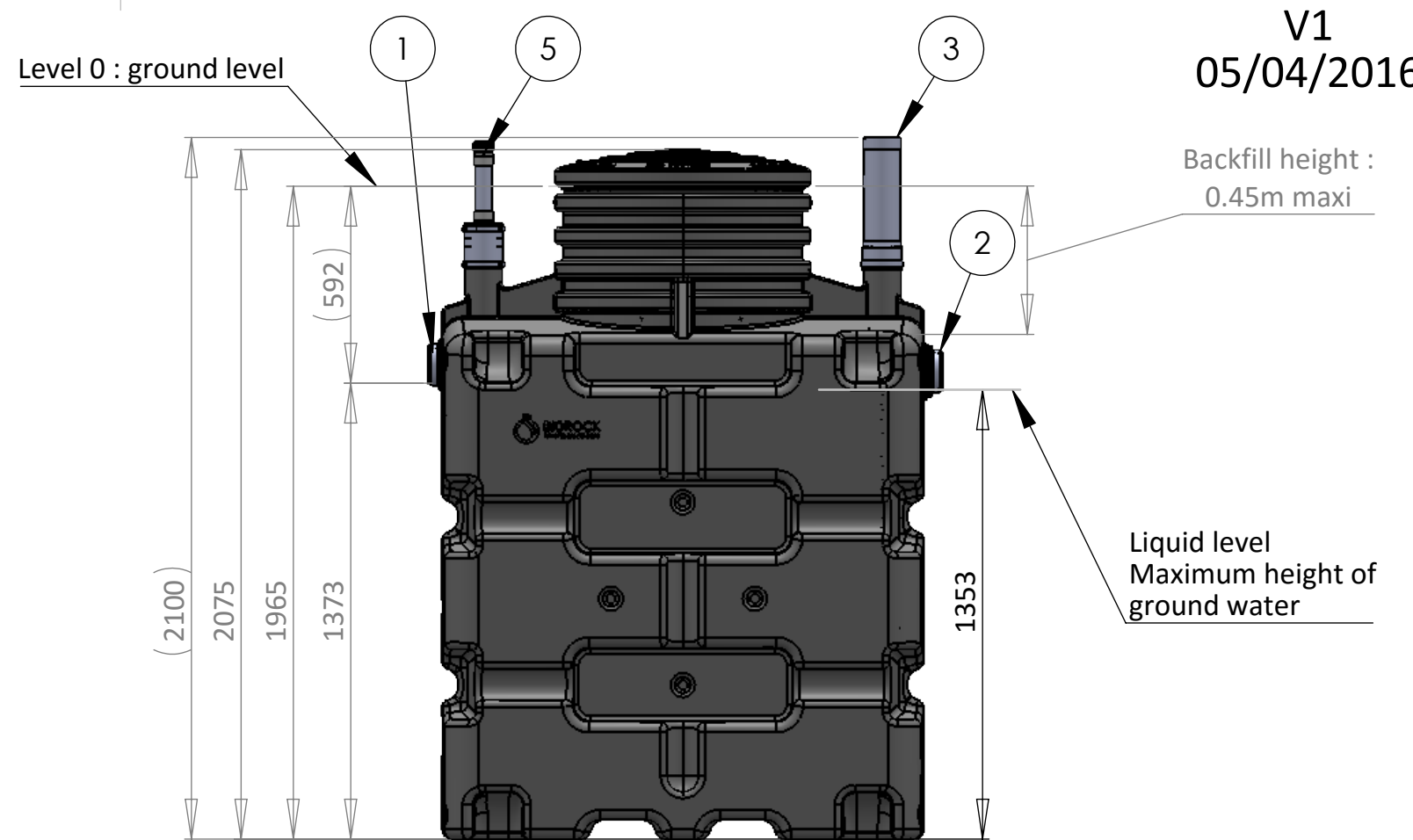


Primary tank Capacity 2000 L

1	Water inlet
2	Water outlet
3	Access to effluent filter
4	Air outlet
5	Rodding point

Characteristics	Value	Unit
Primary tank (PT)		
Material	HDPE	
Tank volume	2000	Liters
Specification	Value	Unit
Overall length	1450	mm
Overall width	1150	mm
Total height of the tank	2075	mm
Overall height	2100	mm
Total weight (without water)	241	Kg
Pipework diameter	110	mm

This treatment unit can be installed in high ground water table.



Overall tolerance : 3%

V1
05/04/2016

Service :				
ORIGINATOR				
	NAME	SIGNATURE	DATE	TITLE:
AUTHOR	AQ		05/04/2016	
APPROV.				
CHANGES				Nb. of PLAN
	NAME	SIGNATURE	DATE	
AUTHOR				
APPROV.				
CHANGES				FTE-X2000
AUTHOR				
APPROV.				A3
SCALE:1:20				